

MODEL: CLIVUS MULTRUM™ 14 (CM14)

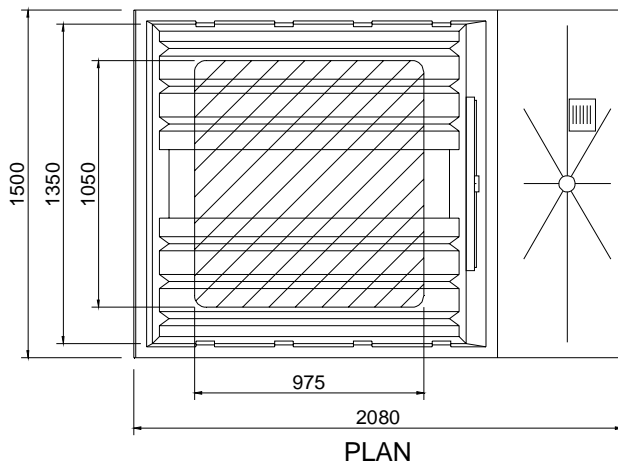
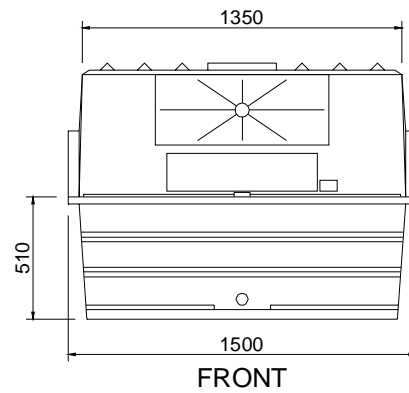
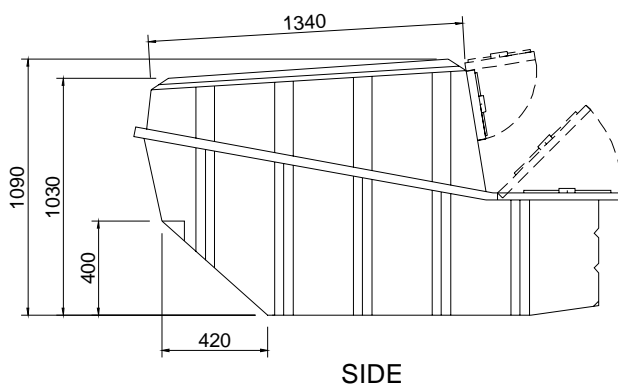
Overall Dimension: 2080 x 1500 x 1090 mm (L x W x H)
 Projected Capacity: 38 visits daily (average) or 14,000 visits annually
 Description:

The CM14 is ideal for most domestic applications and particularly small facilities where height under a house or building is limited. CM14 can accommodate two toilet pedestals.

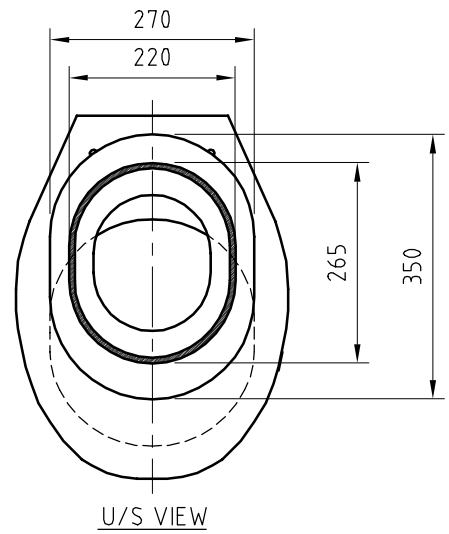
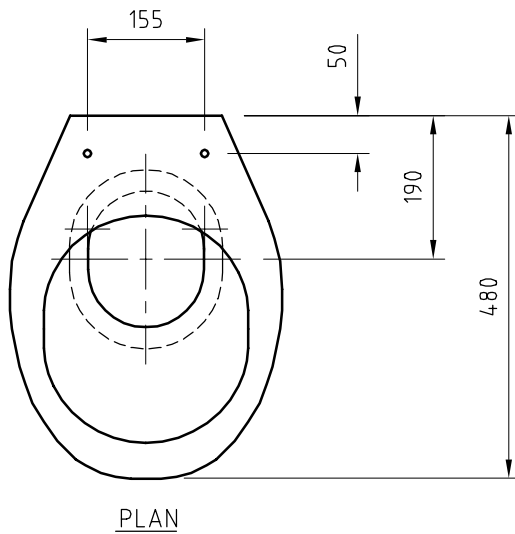
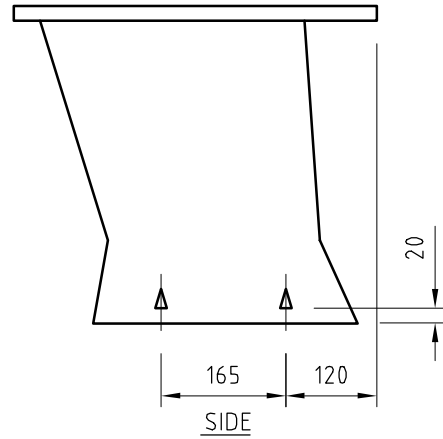
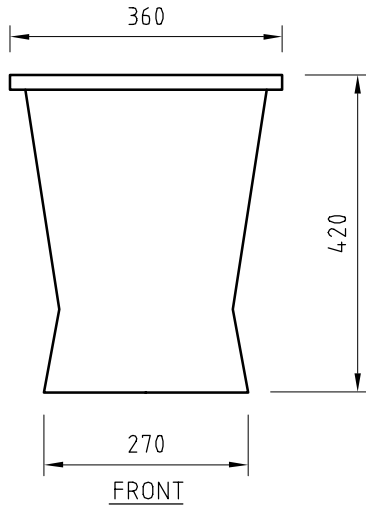
Specifications:

Material	Low Density Polyethylene – LDPE
Waste Chamber	Stainless Steel Baffle Air Duct Polyethylene Rear Baffle Inspection/Access Doors
Finished Compost Chamber	1400 x 400 mm Access Lid
Liquid End Product Drain	All Required Fittings Absorption Trenching
Fasteners	Stainless Steel
Fittings	Corrosion Resistant Materials

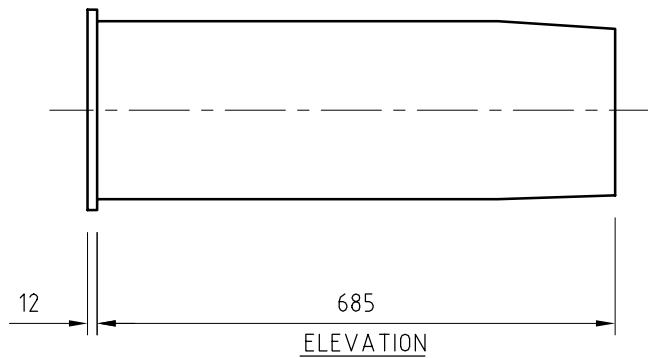
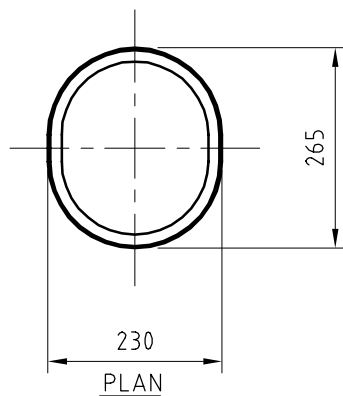
Minimum preferred distance between to of chamber and floor joists is 150mm



TOILET CHUTE/S
 PREFERABLY TO BE
 LOCATED IN HATCHED AREA



PEDESTAL DETAILS



CHUTE DETAILS

NOTES:

1. MANUFACTURING TOLERANCE \pm 2%.

**ISSUED
FOR CONSTRUCTION**

0M1	REVISED DWG	5.12.13	HN
0	IFC	1.2.06	WPM
REV	DESCRIPTION	DATE	BY
		UNLESS OTHERWISE STATED ALL DIMENSIONS IN mm DRAFTING STANDARD AS 1100	

Clivus Multrum Australia
 3/14 Hinkler Court
 BRENDALE QLD 4500
 PH (07) 3889 6144 FX (07) 3889 6149
 www.clivusmultrum.com.au
 ABN 92 360 561 688

NEUBAU PTY LTD		
Unit 14, 67 O'Connell Terrace PH (07) 3252 1244 W www.neubau.com.au BOWEN HILLS QLD 4006 FX (07) 3004 7401 E admin@neubau.com.au		
CLIENT :	CLIVUS MULTRUM AUSTRALIA PTY LTD	A4
JOB TITLE :	CLIVUS MULTRUM TANKS	
DWG TITLE :	PEDESTAL AND CHUTE DETAIL DIMENSIONS	SHEET 1 / 1
SCALE:	JOB No:	REV OM1
1:10	3-020	DWG No: CP-A-03