

**MODEL: CLIVUS MULTRUM™ 8 (CM8)**

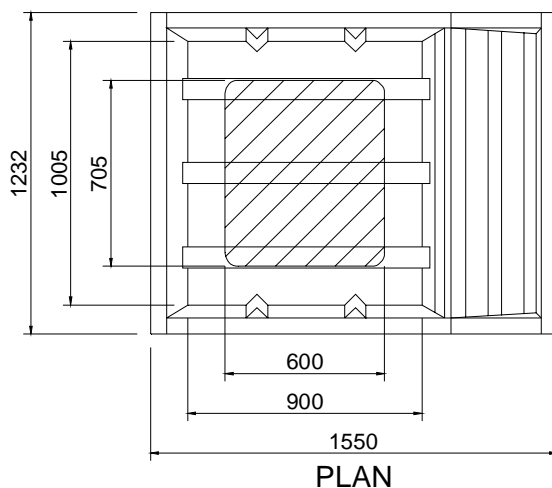
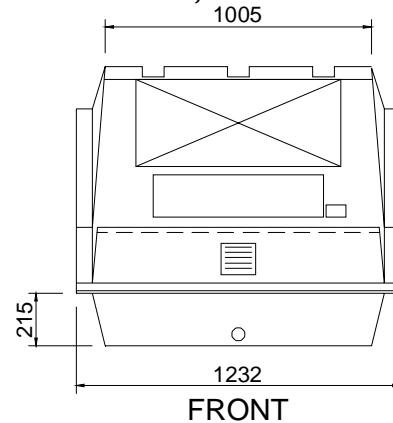
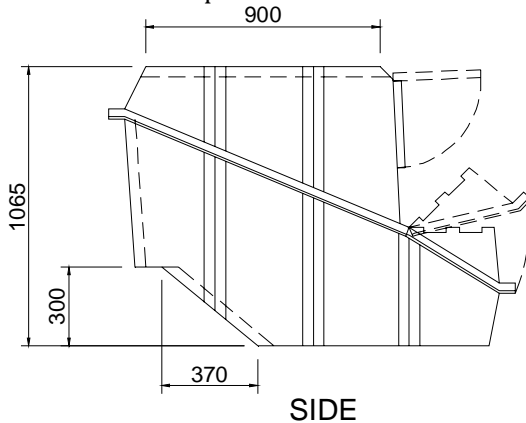
Overall Dimension: 1550 x 1232 x 1065 mm (L x W x H)  
 Projected Capacity: 20 visits daily (average) or 8,000 visits annually  
 Description:

The CM8 is ideal for most domestic applications. Each CM8 can accommodate one toilet pedestals.

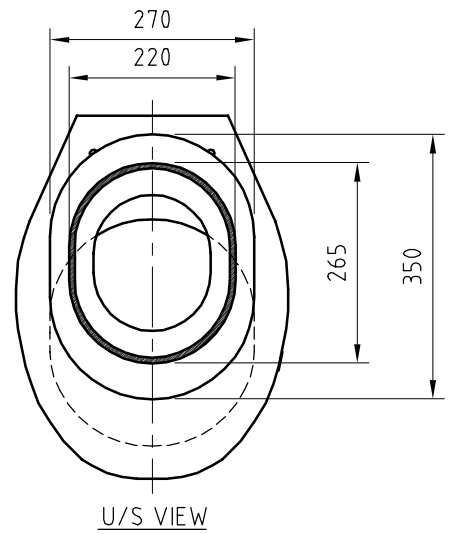
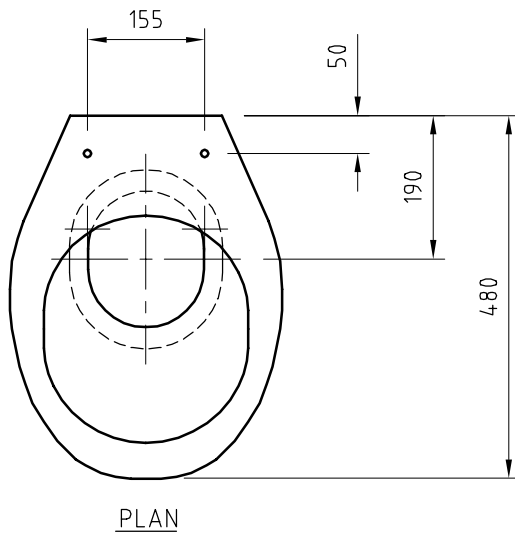
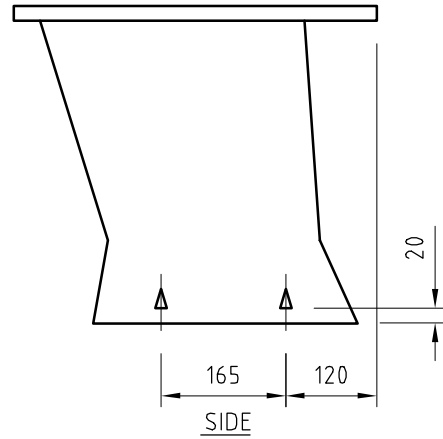
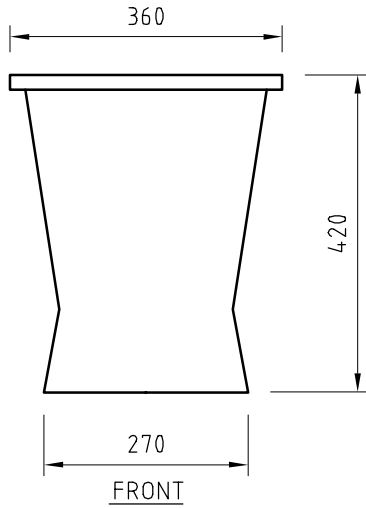
Specifications:

Material	Low Density Polyethylene – LDPE
Waste Chamber	Stainless Steel Baffle Air Duct Polyethylene Rear Baffle Inspection/Access Doors
Finished Compost Chamber	1000 x 350 mm Access Lid
Liquid End Product Drain	All Required Fittings Absorption Trenching
Fasteners	Stainless Steel
Fittings	Corrosion Resistant Materials

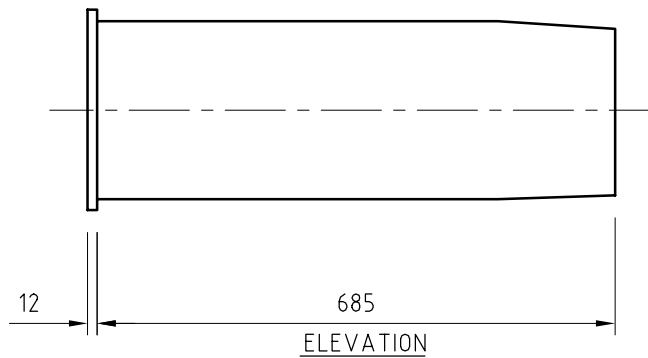
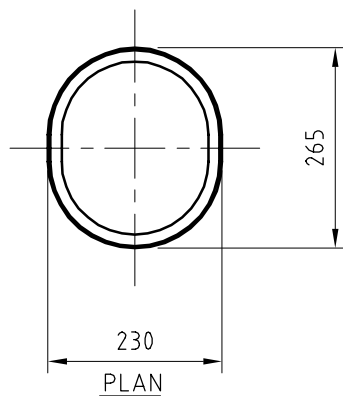
Minimum preferred distance between to of chamber and floor joists is 150mm



**TOILET CHUTE  
 PREFERABLY TO BE  
 LOCATED IN HATCHED AREA**



**PEDESTAL DETAILS**



**CHUTE DETAILS**

**NOTES:**

1. MANUFACTURING TOLERANCE ± 2%.

**ISSUED  
FOR CONSTRUCTION**

0M1	REVISED DWG	5.12.13	HN
0	IFC	1.2.06	WPM
REV	DESCRIPTION	DATE	BY
		UNLESS OTHERWISE STATED ALL DIMENSIONS IN mm DRAFTING STANDARD AS 1100	

**Clivus Multrum Australia**  
 3/14 Hinkler Court  
 BRENDALE QLD 4500  
 PH (07) 3889 6144 FX (07) 3889 6149  
 www.clivusmultrum.com.au  
 ABN 92 360 561 688

<b>NEUBAU PTY LTD</b>		
Unit 14, 67 O'Connell Terrace PH (07) 3252 1244 W www.neubau.com.au BOWEN HILLS QLD 4006 FX (07) 3004 7401 E admin@neubau.com.au		
CLIENT :	<b>CLIVUS MULTRUM AUSTRALIA PTY LTD</b>	<b>A4</b>
JOB TITLE :	<b>CLIVUS MULTRUM TANKS</b>	
DWG TITLE :	<b>PEDESTAL AND CHUTE DETAIL DIMENSIONS</b>	<b>SHEET 1 / 1</b>
SCALE :	JOB No:	REV
<b>1:10</b>	<b>3-020</b>	<b>OM1</b>
DWG No:		<b>CP-A-03</b>