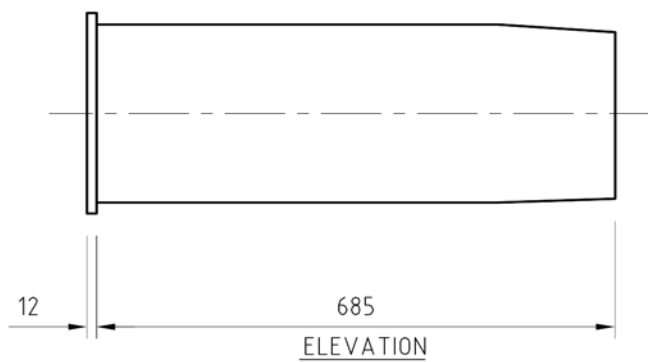
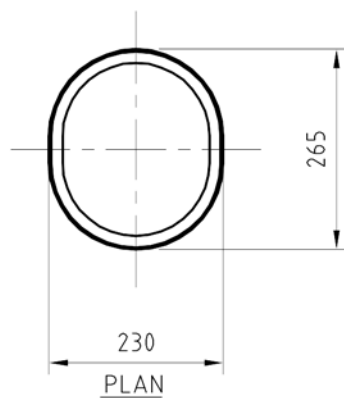


PEDESTAL DETAILS



CHUTE DETAILS

NOTES:

1. MANUFACTURING TOLERANCE $\pm 2\%$.

**ISSUED
FOR CONSTRUCTION**



Note 1: Minimum distance from finished wall to back of pedestal base is 90mm. Minimum distance from finished wall to edge of chute is 135mm