

RHEEM ELECTRIC STORAGE HOT WATER



1-9
PEOPLE

18-400
LITRE
DELIVERY

MAINS
PRESSURE

7 or 10
YEAR
WARRANTY^{1,2}



MAINS PRESSURE HOT WATER

COMES ON STEADY, HOT AND STRONG

INSTALL A



RHEEM ELECTRIC STORAGE HOT WATER

RHEEM IS AUSTRALIA'S FAVOURITE NAME IN HOT WATER AND THE NAME AUSTRALIANS HAVE TRUSTED FOR GENERATIONS

YOU'LL BE RIGHT WITH RHEEM

No.1 with Australian families. Rheem is Australia's favourite hot water system... and it's been that way since 1939, when Rheem started making water heaters in Australia. Generations of Australian families have relied on Rheem for water that is steady, hot and strong!

RHEEM IS EVERYWHERE

There is an unequalled network of experienced Rheem service agents across the country. No matter where you are in Australia there is expert advice available to ensure that you get the Rheem solution that is right for you.

WE HAVE THE RIGHT RHEEM FOR YOU

Rheem has the most extensive range of hot water systems available in Australia. Solar, gas or electric storage. Continuous flow or heat pump. Energy efficient. Rheem has a range of capacities and sizes just right for every situation.

Solar, gas or electric.
Continuous flow, heat pump,
or storage. Rheem has
a range of hot water solutions
for every situation.



THINGS TO CONSIDER WHEN SELECTING AN ELECTRIC WATER HEATER

Purchase/installation costs

If you are replacing an existing water heater a "like for like" replacement tends to minimise installation costs.

Running costs

These will be based on your household usage and the tariff rate for your household. Water heaters connected to off-peak or reduced tariff electricity are considerably cheaper to run, provided the tank is large enough to store adequate hot water for your needs.

Choosing the right size or capacity

When choosing the right sized water heater for your household you will need to consider how you use the hot water, for example:

- How many bathrooms are in your home or how many people use hot water at the same time?
- How many adults and children live at home?
- What electrical tariffs are available?
- Do you wash your clothes all, some or none of the time in hot water?
- Do you have a larger than normal bathtub or spa-tub that is filled using the hot water supply?

OFF-PEAK OR CONTINUOUS ELECTRICITY?

Rheem electric storage hot water systems are suitable for connection to either “off-peak”, “time of use” or “continuous” electricity tariffs depending on the model selected (refer to table for comparison).

Off-peak electricity is a lower cost, discounted rate available during specific “off-peak” times i.e. at times when electricity use is lower - such as at night and /or outside peak usage times. Energy companies specify that Electric Hot Water Systems have the following minimum capacity/sizes to connect to an off-peak tariff:

8 Hour night rate – 250L

16 hour ‘extended’ rate – 160L (some providers allow 125L)

‘Time of Use’ provides power 24 hours per day, but charges different rates for different times of day i.e. rates are higher for using electricity during peak hours, and less for electricity during the ‘Shoulder period’ and overnight.

Continuous electricity is where power is available to heat the water 24 hours per day. A smaller tank can often be used but the running costs will be higher.

Consult your energy provider for more information on tariff arrangements and cost comparisons.

RHEEM OPTIMA®

| Model (Litres) | 250 | 315 | 400 |
|--|-----------|-----------|-----------|
| PPH* – Off-peak tariff Single / Twin element | 1-3 / 2-3 | 2-4 / 3-4 | 4-6 / 4-7 |
| PPH* – Continuous/Time of use tariff [†] Single / Twin element | 3-5 | 4-6 | 5-9 |

RHEEMGLAS® AND RHEEMPLUS®

| | | | | |
|---|-----|-----|-----|-----|
| Model (Litres) Single element | 25 | 50 | 80 | 125 |
| PPH* – Off-peak tariff | - | - | - | - |
| PPH* – Continuous/Time of use tariff [†] | - | 1 | 1-2 | 2-3 |
| Model (Litres) Single element | 160 | 250 | 315 | 400 |
| PPH* – Off-peak tariff | - | 1-3 | 2-4 | 4-6 |
| PPH* – Continuous/Time of use tariff [†] | 2-4 | 3-5 | 4-6 | 5-9 |
| Model (Litres) Twin element | 160 | 250 | 315 | 400 |
| PPH* – Off-peak tariff | 1-3 | 2-3 | 3-4 | 4-7 |
| PPH* – Continuous/Time of use tariff [†] | 2-4 | 3-5 | 4-6 | 5-9 |

* People per household

[†] PPH supplied under ‘Time of use’ tariff conditions is equivalent to continuous tariff, provided the power supply is unrestricted.

THE RIGHT RHEEM FOR YOU



Model Number:
462 Series

RHEEM OPTIMA® ELECTRIC

- Mains pressure at multiple taps
- 10 year warranty²
- Available in 250L, 315L & 400L capacities
- Designed for economical Off-peak energy tariffs
- Twin element daytime boost models available
- User adjustable thermostat



Model Number:
191 Series

RHEEMGLAS® ELECTRIC

- Mains pressure at multiple taps
- Feature dual handed inlet and outlet fittings**
- 7 year warranty¹
- Available in 25L, 50L, 80L, 125L, 160L, 250L, 315L & 400L capacities
- Off-peak tariff models available
- Twin element daytime boost models available
- Adjustable thermostat models available

** 111025 models have left hand connections only.



Model Number:
121 Series

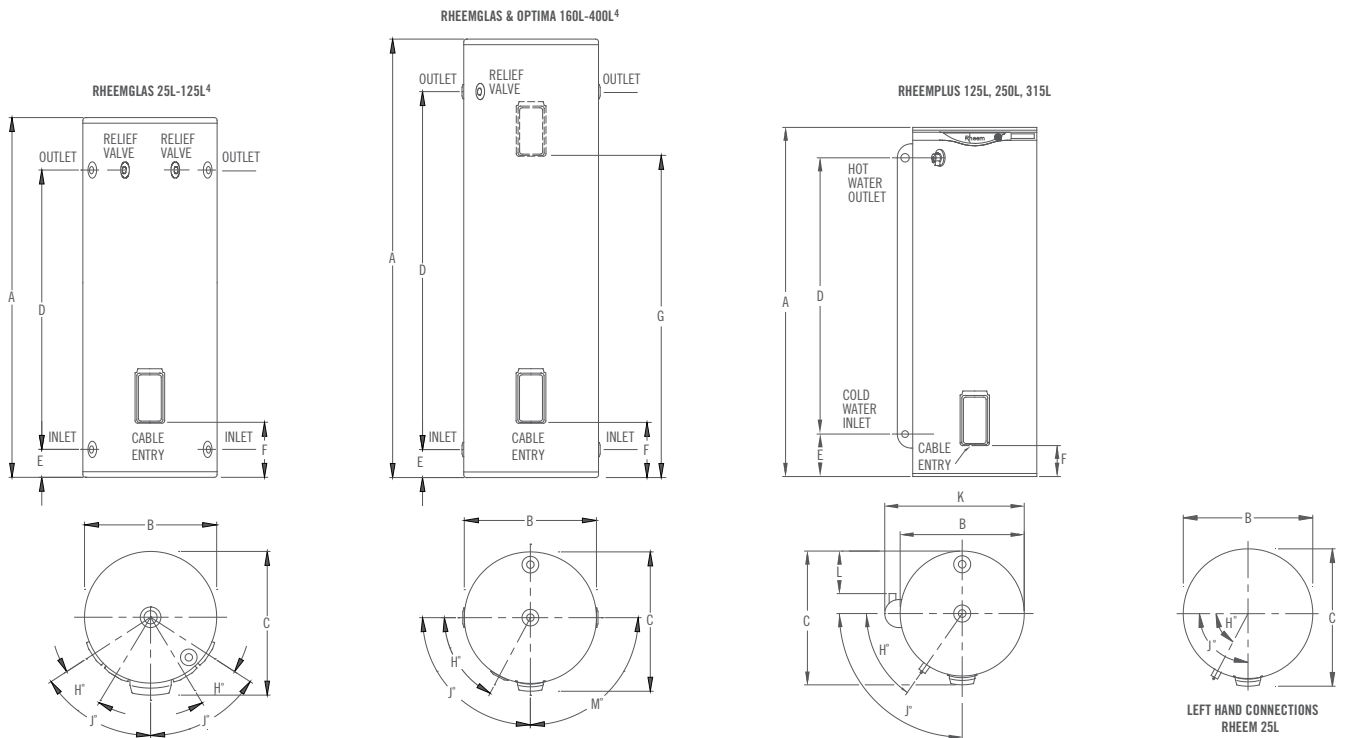
RHEEMPLUS® ELECTRIC

- Mains pressure at multiple taps
- 7 year warranty¹
- 50°C maximum temperature delivery³
- Single element
- Left hand connection
- Available in 125L, 250L & 315L capacities

PRODUCT DATA

| | | Warranty ^{1,2} | | Model | | | | | | |
|------------------------------|----------|--|--------------------|--------|---------------------|--------|---------------------|---------------------|---------------------|--|
| Rheemglas® Single Element | 7 years | 111025 ⁴ 111025/P ⁴ | 191050 191050/P | 191080 | 191125 | 191160 | 191250 | 191315 | 191400 | |
| Rheemglas® Twin Element | 7 years | - | - | - | - | 192160 | 192250 | 192315 | 192400 | |
| Rheem Optima® Single Element | 10 years | - | - | - | - | - | 411250 ⁴ | 411315 ⁴ | 411400 ⁴ | |
| Rheem Optima® Twin Element | 10 years | - | - | - | - | - | 462250 ⁴ | 462315 ⁴ | 462400 ⁴ | |
| RheemPlus® Single Element | 7 years | - | - | - | 121125 ⁴ | - | 121250 ⁴ | 121315 ⁴ | - | |
| Hot Water Delivery | Litres | 18 | 50 | 80 | 125 | 160 | 250 | 315 | 400 | |
| Storage Capacity | Litres | 25 | 53 | 90 | 135 | 165 | 270 | 324 | 412 | |
| Boost Capacity Twin Element | - | - | - | - | - | 45 | 50 | 50 | 90 | |
| Dimensions | | | | | | | | | | |
| A | mm | 390 | 695 | 945 | 1340 | 1610 | 1395 | 1640 | 1840 | |
| B | mm | 385 | 400* | 480 | 480 | 480 | 640 | 640 | 690 | |
| C | mm | 420 | 436 | 515 | 515 | 515 | 680† | 680† | 730† | |
| D | mm | 130 | 396 | 702 | 1102 | 1332 | 1117 | 1317 | 1479 | |
| E | mm | 116 | 142 | 64 | 64 | 104 | 73 | 113 | 121 | |
| F | mm | 56 | 60 | 66 | 66 | 66 | 103 | 103 | 105 | |
| G | mm | - | - | - | - | 1081 | 988 | 1228 | 1323 | |
| H | deg | 26 | 26 | 24 | 24 | 23 | 32 | 32 | 30 | |
| J | deg | 65 | 59 | 60 | 60 | 58 | 88 | 88 | 83 | |
| K | mm | - | - | - | 545 | - | 705 | 705 | - | |
| L | mm | - | - | - | 183 | - | 262 | 262 | - | |
| M | deg | - | - | - | - | 58 | 92 | 92 | 97 | |
| Approx. Weight Empty | Kg | 18 | 29 | 36 | 49 | 55 | 76 | 97 | 118 | |

191 and 192 series Rheemglas models have left and right hand connections.
 160 to 400 models have the TPR Valve fitting on the left hand side only.
 *400mm diameter applies to product manufactured after 25 June, 2012.
 †20mm needs to be added on for 411 & 462 series Optima® models.
 Technical data is subject to change.



Terms and Conditions

- Warranty: 7 year cylinder warranty, 3 years labour warranty on the cylinder, 1 year parts and labour warranty on all other components for domestic (non-commercial) installations. 7 year warranty applies to product manufactured after 1/1/2012. Conditions apply. See the Rheem warranty set out in the Owner's Guide & Installation Instructions or view it at www.rheem.com.au/warranty.
- Warranty: 10 year cylinder warranty, 5 year labour warranty on the cylinder, 1 year parts and labour warranty on all other components for domestic (non-commercial) installations. Conditions apply. See the Rheem warranty set out in the Owner's Guide & Installation Instructions or view it at www.rheem.com.au/warranty.
- 50°C factory pre-set models supply hot water at a maximum 50°C at all outlets in accordance with AS 3498. Some applications may require tempering, refer to AS/NZS 3500.4.
- Rheemglas 111025, 121 series RheemPlus and 411 & 462 series Optima models have left hand connections only.

© Registered Trademark of Rheem Australia Pty Ltd.
 TM Trademark of Rheem Australia Pty Ltd.
 Rheem Australia Pty Ltd, 1 Alan St, Rydalmere, NSW 2116 Australia.
 Materials and product data are subject to change without notice. Printed November 2013.

MKT-BR-RD-ES0913